



The Editorial Board
Presents



TIRESIA

Colors of Malaviya

*"In the world's broad field of battle,
In the bivouac of Life,
Be not like dumb, driven cattle!
Be a hero in the strife!"*

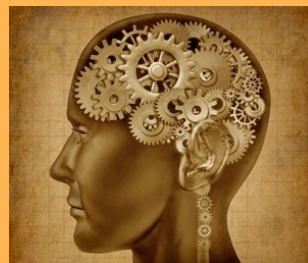
Inside This Issue

- Campus Buzz
- Tech Insights
(Newly Added)



Tete-a-tete with

Mr. Shivesh Sinha
(Program Manager, Intel Co.)



Google Glass



66th Republic
Day Ceremony



Editor-in-chief

Dr. Arjun Dubey

Faculty Members

Dr. R.K. Shukla

Dr. B.K. Pandey

Dr. P.P. Pande

Shri M.K. Srivastava

**Madan Mohan
Malaviya University
Of Technology**
Gorakhpur - 273010
www.mmmut.ac.in
edboard.mmmut@gmail.com

Message from The Editorial Board

*In the world's broad field of battle,
In the bivouac of Life,
Be not like dumb, driven cattle!
Be a hero in the strife!*

The winter winds, as bitter as man's apathy, has relinquished life only to let the flowers blossom, field harvest and sun smile with replenished vigour. The Malaviyans continue to strive and thrive in these cresting Malaviyan Years of their lives.

Through this issue of **Tiresia**, **The Editorial Board** celebrates and welcomes the coming of spring as the University pumps up with excitement for the season of colours.

FROM VICE CHANCELLOR'S DESK

I am pleased to note that the sixth issue of University's monthly newsletter titled **Tiresia** is being released in February 2015 by the Literary Sub Council of Council of Student Activities of the University.

Monthly news letter acts as a messenger for all the students, teachers and staff members of the University and has potential to act as harbinger of changes in the University. Also it provides an opportunity to students and teachers/staff to exhibit their literary skills for their overall development. Since the beginning of year 2015 , the efforts are being made for strengthening the University infrastructure for meeting the present and future expansion requirements. Foundation laying of a new class room complex and a girls hostel has already been done for meeting the forthcoming requirements.

The ongoing construction of two boys hostels is being expedited for their early completion. On academic front the University has already recruited 15 faculty members comprising of 01 Professor, 01 Associate Professor and 13 Assistant Professors in different Departments, which will definitely add to the quality of teaching-learning processes. It is really a matter of satisfaction to see that the commitment and dedication of all teachers, staff and students is leading to realization of all the academic and extra-curricular activities in University as per the prescribed academic calendar.

I am confident that the monthly newsletter will act as a reporter for the University activities and achievements on academic fronts and other endeavours in providing quality technical education & enhancing the employability and placement activities of the students, accomplishments of the teachers and staff members on monthly basis.

I extend my best wishes to all the members of **The Editorial Board** and believe that this newsletter shall act as potential communication link amongst all stakeholders inside and outside the University for dissemination of information about good practices and seeking feedback for improving the academic environment of the University for achieving the excellence in technical education.

Prof. Onkar Singh

FROM CHIEF EDITOR'S PEN

I feel extremely delighted to share with the readers release of the sixth issue of monthly news letter in February 2015, at our university portal in the shade of a young, experienced, dynamic, visionary and scholarly vice-chancellor Prof. Onkar Singh. **Tiresia**, the news letter of university, unlike playing the role of sheer spectator and reporter, speaks the language of university, connecting the stakeholders, communicating with them and inviting them to be inseparable part of university. It tries to establish a close bond between the old scholars and the new learners by offering them share their experiences, provide their invaluable suggestions and extend their support in making and escalating the university to an echelon where from, perforce, each and every one reflects and gravitates the world to its reputation.

Dr. Arjun Dubey

Tête-à-tête

with

Mr. Shivesh Sinha



Mr. Shivesh Sinha, Computer Engineering, 1992 batch, born and brought up in **Varanasi**, started his career teaching at **UPTRON ACL** for an year. In 1993, he got hired by India's leading carpet company as an **EDP manager**. After switching few jobs and inspired by the boom in IT sector, he moved to **NIIT Technologies** as a consultant in 1996. NIIT sent him to **USA** in July 1999 as a project manager where he got to work with **Deloitte consulting and Microsoft**. He joined **Intel Corporation** as a Senior application developer and quickly grew to become a project manager and then a program manager. In 2011 June, he decided to try his career in hardware and switched to **CPU validation in Intel**. He was fortunate to be picked up to become the validation program manager of **Broadwell-Intel's**, or world's first 14 nm product which hit the shelf in November 2014 as "**Intel Core M**" product. He now, is a seasoned **Program manager**. He holds a **PMP** (Project management professional) certification and is one of the 1100 in this world to hold the prestigious **PgMP** (Program management professional) certification. He also teaches at **Intel university** to Intel employees seeking a career in project management. **The Editorial Board** got a chance to interview him. Here are some excerpts :

Q1: How would you describe your life post Malaviya?

It was adventurous and fun despite a lot of uncertainty about what would I do. Campus placement was far from reality and we were supposed to hunt for jobs on our own. Since I was also selected for Indian Air Force after third year, I never felt insecure about the job but as soon as I decided not to join IAF, life started looking a little uncertain. One thing I decided to do and always ask others to do is to "Never sit idle" and "not let a single day gap in my resume". Another thing which I did and which helped me throughout my career was to "keep Networking"-make new friends, acquaintances which I still do almost everyday.

Q2: How would you describe your college life? And would you like to mention a memorable incident of the same?

My college life was full of fun, learning and exposure. Learning was not only of the subjects I studied but also about communication, people handling, leadership, problem solving, decision making and many others. Whatever I am today, I give most credit to Malaviya for that. I performed on stage for the first time in college, I started a mess which was considered the most difficult, thankless and risky job at that time.

Once I faced and calmed down a mob of some 50+ people who were mad at us, the first year students for boycotting the final year batch farewell party.

Q3: You have reached to an esteemed position in your life. What would you say about your success secret?

I am not sure if I am still at an esteemed position but wherever or whatever I am, the biggest catalyst has been my "Optimism"- Never lose hope and never feel disappointed. Even during the bad times, I was optimistically thinking "There is a job out there which is made for me and which I am made for". A positive attitude with a realistic goal will always take you to the heights you want to achieve. Having a realistic goal is very important-know your strengths, weaknesses, likes, dislikes and then set your goal and keep yourself positive until you achieve your goal.

Q4: Would you like to comment on the current state of Malaviyan Alumni Association?

Getting better and better day by day, thanks to social media. I think Alumni are doing a lot for the University and students, formally or informally. Now it's time for the University to recognize the ability of the alumni and be open to seek their help in making improvements and creating a world class institution. Time to get alumni involved in creating the curriculum, participate in training and placement and also be a voice in administration. To be very specific about Alumni in USA, we are still informal-we need to create a formal association and make sure we have a charter and a good execution plan.

Q5: What message would you like to convey to the inquisitive students of Malaviya?

Network with batch mates, seniors and even your juniors and teachers. Make a realistic goal and keep your optimism. Avoid being a "complainer" but always strive to fix problems which you have control over. Avoid criticizing your college when you go out as it will create a bad word of mouth. Consider it as your family and protect it's reputation. In addition to studying your subjects, focus on communication and other soft skills. And never forget to have FUN! 20 years from now, like me, you too want to describe these 4 years as the best part of your life.

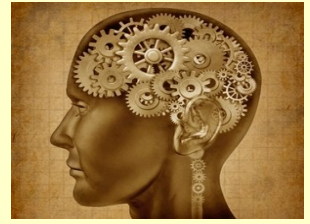
“A
positive
attitude
with a
realistic
goal will
always
make you
reach the
heights
you want
to
achieve.”

Campus Buzz



- **The Editorial Board** put forth the opportunity to explore the spell wizard in the students through its spelling based event **SPELLCZAR** on **January 11th 2015**.
- A new event named **World Parliament** was successfully conducted by **The Editorial Board** on **January 12th 2015**. **Shri M.K. Srivastava** was present to witness the whole event.
- **Social Engineer's Board** conducted a motivational session for the students of first year where the faculty members of every branch were present and induced students towards their future **January 12th 2015**.
- **Training And Placement Cell** conducted its **Induction** process for the second year students. A team of **15 members** was finalized.
- **Results of Odd semester** were declared and the **first sessional** took place from **January 22nd to 24th 2015**.
- **Republic day celebration** took place with great enthusiasm and jubilation on **January 26th, 2015**.

TECHINSIGHTS



- Here is the set of questions for this month's competition.
- Mail answer of the question concerned to your department to edboard.mmmut@gmail.com .

Civil Engineering

What are the problems encountered while constructing a high rise building as compared to a low rise building? (answer in not more than 100 words)

Mechanical Engineering

Consider uniform heat generation in a cylinder and a sphere of equal radius made of the same material in the same environment. Which geometry will have a higher temperature at its center? Why?

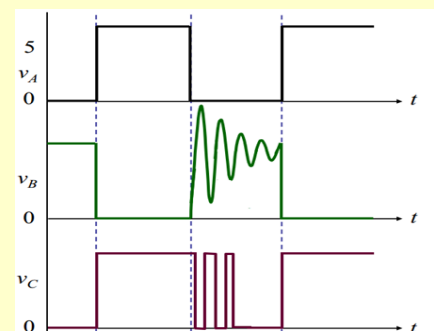
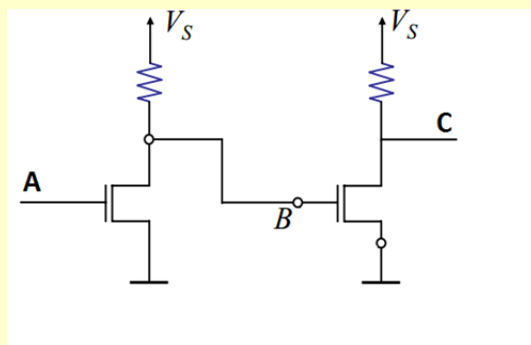
Computer Science & Engineering

Performing arithmetic in school days, the mnemonics BODMAS was used. Hence $2+2/2$ is evaluated to 3. However, it is not efficient to implement this method, while calculating with the help of computers. How do the compilers perform arithmetic calculations correctly then?

Electrical Engineering

Can AC power be stored or not ? (answer in not more than 100 words)

Electronics & Communication Engineering



This is a buffer circuit. Explain the outputs at B and C for the given input at A (assuming resistances to be low).

Hint: Think of all the passive elements involved in MOSFET circuit!!

Google GLASS

Google Glass was developed by **Google X**, the facility within Google devoted to technological advancements such as driverless cars. Google Glass is smaller and slimmer than previous head-mounted display designs.

The Google Glass prototype resembled standard eyeglasses with the lens replaced by a **head-up display**. In mid-2011, Google engineered a prototype that weighed 8 pounds (3,600 g); it is now lighter than the average pair of sunglasses. In April 2013, the Explorer Edition was made available to Google I/O developers in the United States for \$1,500. A Glass prototype seen at Google I/O in June 2012



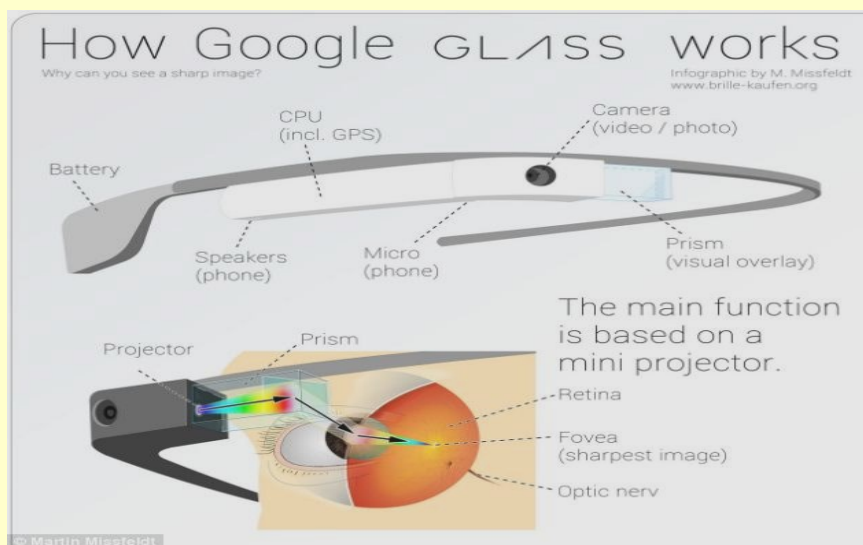
The product was publicly announced on April 2012. **Sergey Brin** wore a prototype of the Glass to an April 5, 2012, Foundation Fighting Blindness event in San Francisco. In May 2012, Google demonstrated for the first time how Google Glass could be used to shoot video. Its features are:

1. **Touchpad:** A touchpad is located on the side of Google Glass, allowing users to control the device by swiping through a timeline-like interface displayed on the screen. Sliding backward shows current events, such as weather, and sliding forward shows past events, such as phone calls, photos, circle updates, etc.

“Having to hold up something as clunky as a smartphone to take a picture will be unimaginable for the next generation”

2. **Camera:** Google Glass has the ability to take photos and record 720p HD video.

3. **Display:** The Explorer version of Google Glass uses a **Liquid Crystal on Silicon (LCoS)**(based on an LCoS chip from Himax Technologies), **field-sequential color, LED illuminated display**. The display's LED illumination is first P-polarized and then shines through the in-coupling polarizing beam splitter (PBS) to the LCoS panel. The panel reflects the light and alters it to S-polarization at active pixel sites. The in-coupling PBS then reflects the S-polarized areas of light at 45° through the out-coupling beam splitter to a collimating reflector at the other end. Finally, the out-coupling beam splitter (which is a partially reflecting mirror, not a polarizing beam splitter) reflects the collimated light another 45° and into the wearer's eye.



STUDENT MEMBERS

FINAL YEAR

Abhay Maurya
Asad Khalid
Garima Singh
Harshita Srivastava
Nitin Mishra
Priya Singh
Rajshree Mishra
Resham Tyagi
Shikhar Srivastava
Shivam Sinha
Tushar Srivastava
Utkarsh Tripathi

66th Republic Day Ceremony

On **26th of January, 1950**, a salute of 21 guns and the unfurling of the Indian National Flag by **Dr. Rajendra Prasad** heralded the historic birth of the Indian Republic. Thereafter, it was decreed a national holiday and was recognized as the **Republic Day of India**, declaring itself a **Sovereign, Democratic** and **Republic** state with the adoption of the **Constitution**. Since then, every year on the same date the President, along with the whole nation celebrates this day with a grand ceremony.

However, this 66th republic day was quite auspicious because of the benign presence of new Prime Minister of India and the first ever American President to be welcomed as the Chief Guest. The ceremony began with the arrival of the **Indian Prime Minister, Shri Narendra Modi** and then the **Chief Guest, American President Mr. Barack Obama**, the highlight of the whole event. The crowd heartily welcomed both the dignitaries with an enthusiastic cheer and light drizzling made the weather more pleasant. Soon after, the **Indian President Dr. Pranab Mukherjee**, reached Rajpath and the notes of the National Anthem glazed the atmosphere.

After this, the President gave **Bravery Medals and Honors** to the wives of the **Army personnel** who lost their lives while fighting for the country. The sight was emotional as well as made everyone feel proud for their soldiers. Next, the ceremony started with the **marching parades** of various **military** and **police troops, Home Guards** and **National Cadet Corps of India** like the Sikh Regiment and the Gorkha Battalion. But, for the **first time** in Indian history, a troop of **Defence Women** lead its way all through the Rajpath, thus symbolizing women power and strengths. After this, some of the elite **defence weapons** developed by DRDO were showcased, displaying India's technological advancements in defence section. This was followed by a vibrant parade comprising **tableaux** from different states and **cultural dances** by patriotic school children which filled the atmosphere with colors. Later, **children** who

STUDENT MEMBERS

THIRD YEAR

Adarsh Chaudhary
Aishwarya Chauhan
Asmita Pal
Divi Khare
Mudit Saxena
Pragya Pandey
Rajesh Kumar Ojha
Ritika Gera
Saurabh Dubey
Shweta Srivastava
Sonali Mishra
Vijaya Laxmi Acharya
Vishal Sharma

have won **National Bravery Awards** ride past the spectators on colorfully decorated elephants. The Republic Day Parade was **concluded** by dare devil **motor cycle riding** and a fly-past by **Indian Air Force fighter jets** over Rajpath, as spectators look on with their hearts filled with pride. The **president**, on the eve of 66th republic day **addressed** the nation with his inspiring words. He quoted **Gandhiji's** words, **“Whenever you are in doubt...recall the face of the poorest and the weakest man whom you may have seen and ask yourself...will it lead to Swaraj for the hungry and spiritually starving millions?”**

All in all, this Republic Day was a grand celebration and made a huge success in arousing the feeling of one nation and one republic in every Indian's heart and soul. **Jai Hind!**



STUDENT MEMBERS

SECOND YEAR

Abhishek Singh
 Abhishek Yadav
 Ankita Jaiswal
 Antra Saxena
 Deeksha Sharma
 Dhawal N. Asthana
 Lisha
 Purna Arya
 Ravikant
 Ritvik Verma
 Shubham Chand
 Siddharth Sagar
 Srijan
 Vishal Tiwari